

ASTM CATEGORY 5 : GRAVITY RIDING FOCUSED ON THE DESCENT

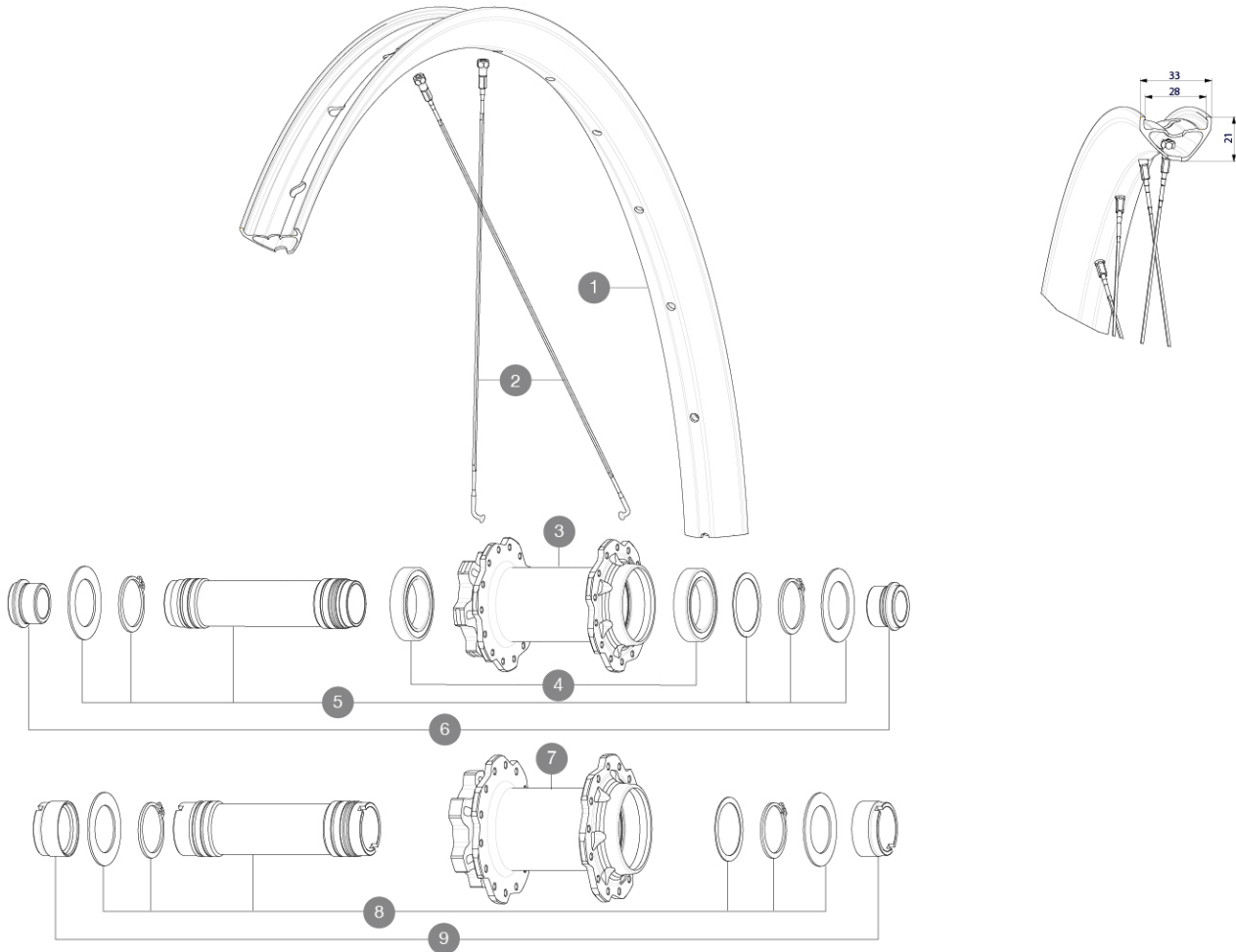
For a longer longevity of the wheel, Mavic recommends that the total weight supported by the wheels doesn't exceed 150kg, bike included

Recommended tyre sizes: 60mm to 76mm (2.35" to 3.0")

REFERENCES WHEELS

F92171 Deemax 29 21 Ft

F92181 Deemax 29 21 Ft Boost



RIMS



&NBSP::

1	V3766215	Kit Front/Rear rim Deemax 21 29"
	V2640101	UST RIM TAPE 32mm for 28 to 29mm wide rims

SPOKES

2	V2387901	KIT 14 J BENT STEEL SPOKES 298mm DEEMAX DH 20 29" + black s
---	----------	---

HUB SHELLS

3	N/A	HUB BODY
4	M40179	FRONT HUB BEARING KIT 20mm AXLE
5	V2373701	KIT 20x110mm BOOST AXLE QRM AUTO MTB > 2019
6	12982801	ADAPTER Ft 20 to 15mm
7	N/A	HUB BODY
8	V2373801	KIT 20x110mm AXLE QRM AUTO MTB > 2019
9	12982901	ADAPTER Ft 20x110mm

MAVIC Deemax 29

DELIVERED WITH

UST valve and accessories (129 838 01)	
Pre-installed tubeless rim tape	
Multifonction adjustment wrench (delivered with rear wheel) (325 423 01)	
2 replacement spokes with each wheel	

COMPATIBILITY

Front axle: 15x110 Boost, convertible to 20x110 Boost thru axle with adapters	
Freewheel: Shimano HG9, XD or Micro Spline	
Boost Axles : 15X110 ; 12X148	
DH spacing axles: 12X150 , 12x157 , 12X157-7speed	

Specifications

RIMS

- **Material** : Mactal
 - **Material** : S6000 Aluminum
 - **Drilling** : traditional
 - **Internal width** : 28 mm
 - **ETRTO size 27.5"** : 584x28TC
 - **ETRTO size 29"** : 622x28TC
- Black Shield treatment (protects your rim against impacts and scratches)
Asymmetrical rim design
UST Tubeless Ready
SJP

SPOKES

- **Material** : steel
- **Nipples** : steel, ABS
- **Count** : 28 front and rear
- **Lacing** : front and rear crossed 3

WHEEL HUB

- **Axles** : Front 15X110 Boost ; Rear 12X148 Boost
 - **DH spacing axles** : 12X150 , 12x157 , 12X157-7speed available
- Hub available with 6-bolt brake rotors
Instant Drive 360
QRM Auto

VERSIONS

- **Disc standard** : 6 Bolts only
- **Freewheel** : SRAM XD, Shimano HG9, Shimano Micro-Spline
- **Hub width** : Boost (front 15/20x110, rear 148) or Non-Boost (front 15/20x100, rear 135/142) or DH rear (150/157) or DH7S rear (150/157-7S)
- **Diameter** : 27,5" and 29"

WHEEL WEIGHTS

- Weight Front 27.5": 955
- Weight Front 29": 1005